

# entervo.pay cashless

## Automatic Pay Station for Cashless Payment

### Intended Use:

The automatic pay station entervo.pay cashless allows the fully automatic determination and payment of parking fees. Payment is made with cashless means of payment such as credit or debit cards without time-consuming management of cash stocks.

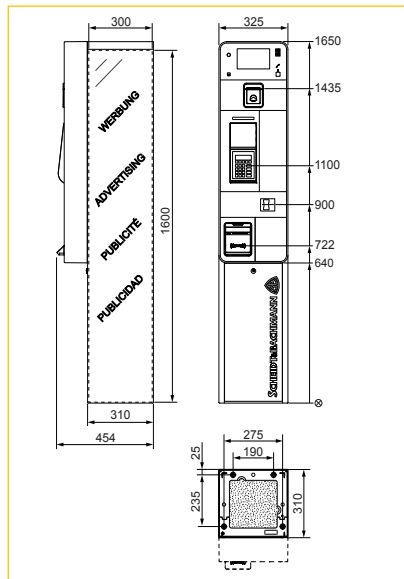
The optional touchscreen faces highest demands in terms of user-friendliness, functionality, flexibility and reliability.

The pay station is the ideal supplement to classical pay stations where payment takes place with coins or banknotes.

Optionally, Print@Home tickets can be processed via integrated 2D barcode scanner which allows various eCommerce applications.

A large number of different reader technologies for season parkers allow extra payment or validity extension directly at the pay station.

### Dimensions (mm):



### TECHNICAL SPECIFICATIONS

<b>User guidance:</b>	<ul style="list-style-type: none"> <li>• Brilliant LED colour display</li> <li>• Screen diagonal of 17.8 cm (7") / screen resolution: WVGA (800x480 pixels)</li> <li>• Touch-screen display for simple operation as option</li> <li>• Intuitive user guidance via clear, graphic symbols</li> <li>• Intercom substation with call button, microphone and loudspeaker (8 W)</li> <li>• Audio induction loop as option</li> </ul>
<b>Media technologies:</b>	<ul style="list-style-type: none"> <li>• The following units are available:                             <ul style="list-style-type: none"> <li>- TPU for processing barcode and/or magstripe tickets                                     <ul style="list-style-type: none"> <li>- incl. production of replacement tickets and voucher disposal</li> <li>- for one ticket magazine with up to 5,000 tickets</li> </ul> </li> <li>• ChipCoin processing for Scheidt &amp; Bachmann ChipCoins based on HiTag                                     <ul style="list-style-type: none"> <li>- incl. hopper-based production of ChipCoins (e.g. for „Lost ChipCoin“ function)</li> <li>- hopper capacity = 850 ChipCoins</li> </ul> </li> </ul> </li> <li>• Detailed information on the performance of the media technologies can be found in the corresponding components' data sheets</li> </ul>
<b>Cashless means of payment:</b>	<ul style="list-style-type: none"> <li>• Various payment terminals can be integrated</li> <li>• Readers for contactless payment</li> <li>• Further information on request</li> </ul>
<b>Receipts:</b>	<ul style="list-style-type: none"> <li>• Printed on standard thermal paper roll</li> </ul>
<b>Behaviour in the event of network failure:</b>	<ul style="list-style-type: none"> <li>• In case of a network failure, the Automatic Pay Station will store up to 10,000 payment transactions</li> </ul>
<b>Housing:</b>	<ul style="list-style-type: none"> <li>• Stainless steel housing with smooth paint (RAL9016 / traffic white or RAL 1003 / signal yellow)</li> <li>• Special colour according to S&amp;B colour range available as an option</li> <li>• Side panels offer a comfortable space for advertising and other information</li> <li>• Device door with cylinder lock. After opening the device door, the front panel can be unlocked.</li> <li>• Plastic front panel with structural effect paint (RAL 7043 / traffic grey B) can be swivelled to the side</li> <li>• Ingress Protection Rating according to IEC 60529: IP43</li> </ul>
<b>Connections:</b>	<ul style="list-style-type: none"> <li>• Power supply / Network (LAN) / Intercom</li> </ul>
<b>Power supply:</b>	<ul style="list-style-type: none"> <li>• Device without heating: 85-264 VAC, 50-60 Hz</li> <li>• Device with 230V heating: 230VAC, 50-60 Hz / Device with 120V heating: 120VAC, 60 Hz</li> <li>• Note: The supply voltage cannot be switched!</li> </ul>
<b>Power consumption (approx.):</b>	<ul style="list-style-type: none"> <li>• 35 W / 50 VA / additional 500 W for heating</li> </ul>
<b>Place of installation:</b>	<ul style="list-style-type: none"> <li>• USA: Protected locations or indoor use</li> <li>• Canada: Indoor use only</li> <li>• All other countries: Protected locations or indoor use; also suitable for outdoor use if the device is equipped with a special rain protection kit</li> <li>• Temperature range: -20 °C ... +50 °C / Relative humidity: ±0% ... 95% (non-condensing)</li> </ul>
<b>Weight:</b>	<ul style="list-style-type: none"> <li>• Approx. 60 kg</li> </ul>
<b>Approvals and conformity:</b>	<ul style="list-style-type: none"> <li>• Approval name according to name plate affixed to the device: PAY40</li> <li>• Europe: CE Mark</li> <li>• USA/Canada: NRTL approval by TÜV SÜD America Inc.; Certificate No. U8 17 12 28197 032</li> </ul>
<b>Extras:</b>	<ul style="list-style-type: none"> <li>• Transponder reader / Front-facing 2D barcode scanner for eTickets (print@home)</li> <li>• Commend intercom system / Fiscal printers</li> <li>• Other special equipment upon request</li> </ul>

File name: PAYSTATION\_DATA\_entervo.pay-cashless\_8693400\_h\_0\_en\_CB.pdf / Illustrations and descriptions may also include special options.