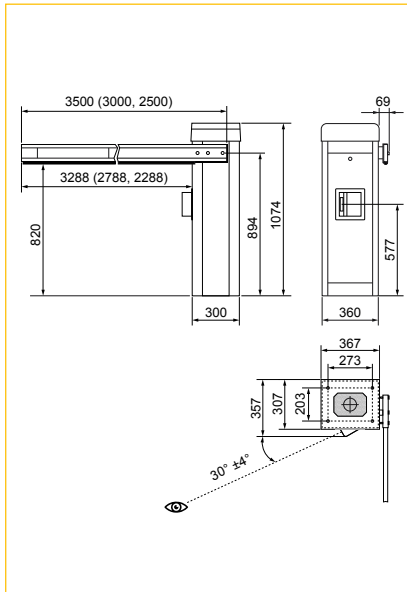


entervo.barrier with LPR Camera

Integrated Licence Plate Recognition Camera

Dimensions (mm):



Intended Use:

The “entervo.barrier” can be optionally extended by a Survision LPR camera. The installation in the front door allows easy retrofitting by exchanging the door.

The advantages of integration are obvious: The optimal installation position in the barrier guarantees the best possible detection rates. In addition, no separate housing or additional empty conduit is required for the cabling. The camera is powered directly via the integrated power supply unit of entervo.barrier. Only an additional CAT network cable is required.



TECHNICAL SPECIFICATIONS

Basic device:	<ul style="list-style-type: none"> Barrier gate “entervo.barrier” See separate data sheet for technical specifications
Camera integration:	<ul style="list-style-type: none"> Available ex works and as retrofit kit including replacement of the front door (please indicate RAL colour) Available for both right-hand and left-hand traffic (please specify when ordering) No vertical Scheidt & Bachmann logo on the front door
Camera type:	<ul style="list-style-type: none"> Compact LPR short range camera “Survision Nanopak”
Video features:	<ul style="list-style-type: none"> HD Camera: 8 Megapixels Image analysis: 60 images/second Illumination: IR 850nm Compression: H264 Automatic adjustment of filming and lighting parameters in order to provide an optimal performance regardless of conditions
Licence plate recognition:	<ul style="list-style-type: none"> Integrated LPR engine Compatible with all international licence plate formats
Recognition distances:	<ul style="list-style-type: none"> Recognition distance: 2-8 metres Coverage width: up to 4 metres
Capture angle:	<ul style="list-style-type: none"> 30° Can be swivelled horizontally by +/- 4°
Video trigger:	<ul style="list-style-type: none"> Autonomous trigger via video or external software trigger
Power supply:	<ul style="list-style-type: none"> 24VDC - 12W (provided by entervo.barrier / no additional power pack required)
Communication:	<ul style="list-style-type: none"> Ethernet TCP-IP V4-V6 (LAN via RJ45 plug) IO out relay
Place of installation:	<ul style="list-style-type: none"> Temperature range: -20 °C ... +50 ° Relative humidity: ±0% ... 95% (non-condensing)
Approvals and conformity:	<ul style="list-style-type: none"> EMC EN 55022, photobiological safety, IEC62471, CE marking, FCC Part 15, CB Scheme, IEC 61000 - 4

File name: BARRIER_DATA_entervo.barrier-survision_8693400_-_0_en_GB.pdf / Illustrations and descriptions may also include special options.